

# MANITRANSIT

# TMT 45

Series



- Lift Capacity: 4,400 lb.
- Maximum lift height: 129 in.
- Maximum forward reach: 54 in.
- Hydrostatic transmission
- Three wheel drive
- Stabilizers



**MANITOU**

# TMT 45

TMT 45 TMT45FL



## Lift Capacity

Maximum (24 in. load center) .....4,400 lb.



## Lift Height:

Maximum lift height .....118 in. ....129 in.

Maximum forward reach .....41 in. ....54 in.



## Tires:

Front .....26 x 12-12 10PR

Rear .....26 x 12-12 10PR



## Forks:

Length .....48 in.

Width x thickness .....4 in. x 1.75 in.

Carriage tilt .....112°



## Brakes:

Service (pedal) .....Hydrostatic

Parking brake .....Negative disc with electrical control



## Engine:

Type .....Kubota D1105E Diesel

Displacement .....70 cu. in.

Horsepower .....25

Maximum Torque (@2000 RPM) .....50 ft.lb.

Injection .....Direct

Cooling .....Water



## Transmission:

Type .....Hydrostatic

Hydraulic reversing shift, full synchro

Maximum travel speed .....6.2 mph



## Hydraulics:

Pump .....Gear type

Flow .....9.4 gpm

Flow divider with priority to steering



## Capacities:

Cooling system .....0.82 gal.

Engine oil .....1.4 gal.

Fuel tank .....10.5 gal.

Hydraulic fluid .....8.2 gal.



## Specifications:

Weight (without forks) .....4,213 lb. ....4400 lb.

Turning radius (outside wheels) .....103 in.

Overall height .....85 in.

Overall width .....96 in.

Overall length (without forks) .....115 in.

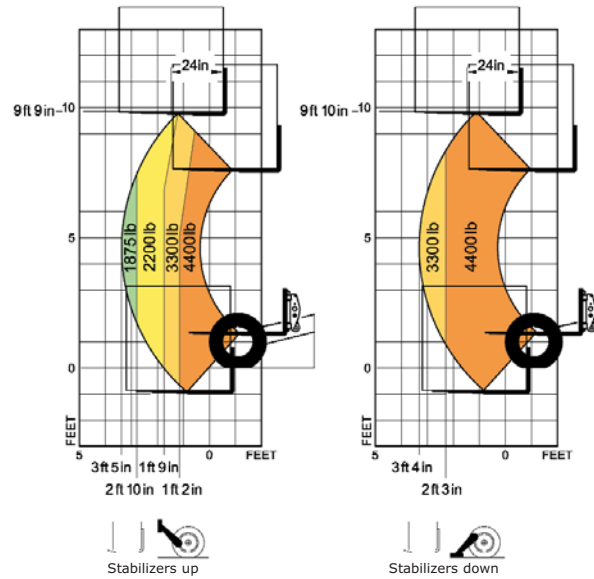
Ground clearance .....10 in.

Drawbar pull .....3,410 lbf.

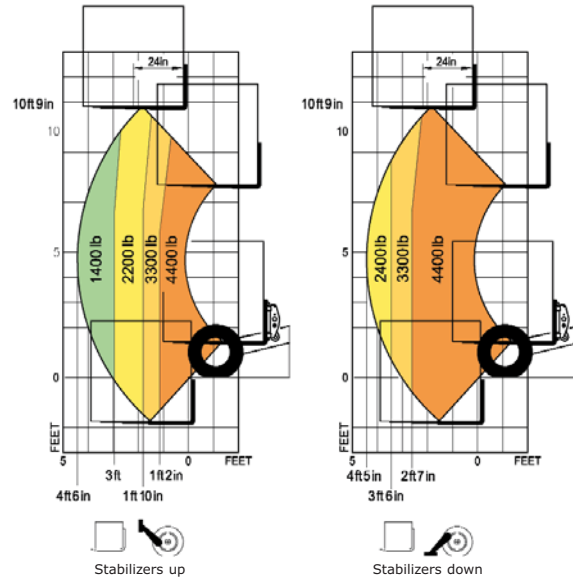
## LOAD CAPACITY CHART

CALCULATED WITH 48" CARRIAGE AND 48" FORKS  
(OPTIONAL ATTACHMENTS CAN DERATE THIS CHART)

### TMT 45



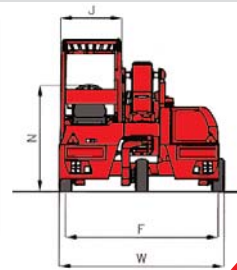
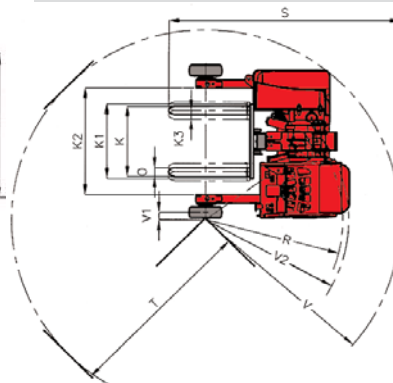
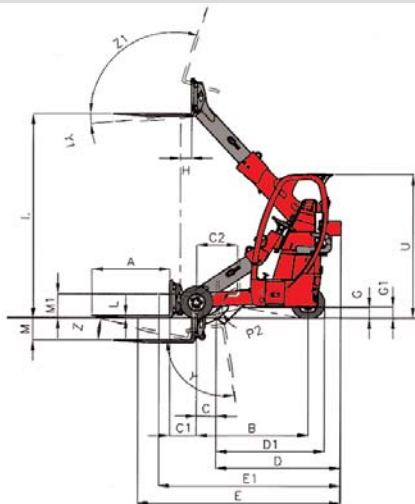
### TMT 45FL (Long Boom)



Capacities shown in pounds/feet are the maximum recommended load limits at the indicated extensions of the boom. Capacity ratings are based on a 48" homogeneous cube and are in accordance with ANSI/ASME B56.6 stability standards. Capacity reductions must be made for extended load centers and when used with various other attachments, contact MANITOU NORTH AMERICA, INC.

## DIMENSIONS:

A.....48	K <sub>3</sub> .....5
B.....61	L.....1.5
C.....7	M.....9
C <sub>1</sub> .....12	M <sub>1</sub> .....17
C <sub>2</sub> .....22	N.....61
D.....72	O.....5
D <sub>1</sub> .....67	P.....40°
E.....115	R.....76
E <sub>1</sub> .....100	S.....128
E <sub>2</sub> .....92	T.....105
F.....85	U.....85
G.....9	V.....107
G <sub>1</sub> .....10	V <sub>1</sub> .....2
H.....10	V <sub>2</sub> .....81
I.....118	W.....96
J.....32	Y.....99°
K.....40	Y <sub>1</sub> .....5°
K <sub>1</sub> .....42	Z.....13°
K <sub>2</sub> .....60	Z <sub>1</sub> .....107°



This publication in no way constitutes an offer and the company reserves the right to alter specification without prior notice. The MANITOU models presented in this brochure can be supplied complete with optional equipment attachments.

2/15/06 Printed in U.S.A.

MANITOU NORTH AMERICA, INC.  
P.O. Box 21386  
Waco, TX 76702-1386  
Tel: 800-433-3304 Fax: 254-799-4433  
www.manitou-na.com

